

COSATTO

baby stuff with personality

strong, sturdy, safe

HOLD

★ ISOFIX ★

car seat base

NITTY
GRITTY



www.cosatto.com

Cosatto Ltd, Bentinck Mill, Bentinck Street, Farnworth, Bolton, BL4 7EP, England
Tel: +44(0)871 977 3900* Fax: +44(0)871 977 3910 Email: enquiry@cosatto.com

*Calls to this number cost 10p per minute at all times from BT landlines.
Calls from other networks including mobiles may be higher.

GB IMPORTANT: KEEP THESE INSTRUCTIONS FOR FUTURE REFERENCE

Read these instructions carefully. Your child's safety may be affected if you do not follow these instructions user guide

Thank you for choosing a Cosatto product. Please take a little time to read the important safety notes detailed below. This will ensure many years of happy, safe use.

This instruction manual should be kept in a safe place. There is a pocket at the rear of the Hold child car seat for storage of the instruction manuals.

This product is only compatible with Hold car seat (sold separately). When car seat is used in conjunction with the Hold car seat (Sold separately), this product does not replace a cot or a bed. Should your child need to sleep, then it should be placed in suitable cot, bed or carry cot.

safety: take note

WARNING: A CHILDS SAFETY IS YOUR RESPONSIBILITY

- When fitted with the Hold car seat, this combination has been approved for mass group 0+ which is suitable for transportation in cars of children from birth up to 13kg (approximately 15 months old).

WARNING: After an accident the child car seat & base should be replaced.

WARNING: NEVER use this child car seat base on side facing vehicle seat.

WARNING: NEVER use this child car seat base on passenger seat fitted with active airbag.

WARNING: NEVER leave your child unattended, even for the shortest time.

WARNING: ALWAYS secure your child with the safety harness when using the child car seat.

WARNING: DO NOT attempt to dismantle, modify or add to any part of the child car seat base.

WARNING: Any rigid items and plastic parts of the child car seat base must be so located and installed that they are not liable, during everyday use of the vehicle, to become trapped by a movable seat or in a door of vehicle.

WARNING: If any load bearing points other than those described in the instructions are used, this can significantly reduce the protection factor of the child car seat base.

WARNING: DO NOT use the child car seat base in the home. It has not been designed for home use and should only be used in your car.

- The child car seat must always be placed and secured with the support leg in front.
- Always make sure that the child car seat harness is correctly tensioned and not twisted to ensure maximum protection for your child.

The child car seat buckle has been designed to be released quickly in an emergency. IT IS NOT CHILD PROOF. More inquisitive children might learn to undo the buckle. Children should be told never to play with it or any other part of the child car seat.

Never use replacement parts other than those approved by Cosatto.

Safely secure any luggage and other objects that might cause injury to the occupant of the child car seat & base in the event of a crash.

Do not place anything such as a towel or cushion under the child car seat base. This could affect the performance of the child car seat base in an accident.

Do not place any objects in the foot well in front of the Hold car seat base.

Cosatto advise that child car seats or base should not be brought or sold second-hand. Many seats sold through local advertising and car-boot sales have been found to be dangerous.

Cover the child car seat base if it is left in direct sun light for prolonged period as the child car seat base surfaces may get very hot. Check the child car seat base surface before placing your child in the seat.

Security is only guaranteed if the child car seat is fitted in accordance with these instructions.

Do not allow children to play with or adjust the car seat base.

Failure to comply with the above instructions will automatically void the warranty and exempt Cosatto from any liability.

NOTE: The car seat base can mark vehicle seat upholstery. Cosatto cannot be held responsible for damage or marking to vehicle seat upholstery.

notice:

1. This is an ISOFIX CHILD RESTRAINT SYSTEM. It is approved to Regulation No. 44, 04 series of amendments for general use in vehicles fitted with ISOFIX anchorages systems.

2. It will fit vehicles with positions approved as ISOFIX positions (as detailed in the vehicle handbook), depending on the category of the child seat and of the fixture.

It is recommended to check that the child restraint is compatible with the intended vehicle at the time of purchase. Please refer to the vehicle list at the back of the instruction manual, Cosatto fit checker app (<http://cosat.to/fitchecker>) or the vehicle fitting list section on the website (<http://cosat.to/holdbasevl>).

3. When fitted with the hold car seat, the mass group and the ISOFIX size class for which this device is intended is: Group 0+ (0 – 13kg), Class E.

4. Never use this child car seat on passenger seat fitted with active airbag.

5. If in doubt, consult either the child restraint manufacturer or retailer.

care

Your child car seat base has been designed to meet safety standards and with correct use and maintenance will give many years of trouble free performance.

Storing a damp child car seat base will encourage mildew to form.

After exposure to damp conditions, dry off with a soft cloth and allow to dry thoroughly before storing.

Store your child car seat base in a dry, safe place.

Leaving the child car seat in sunlight for prolonged periods may cause fabrics to fade.

maintenance

Inspect the child car seat base regularly for signs of damage- stop using the product if any of the component have become damaged.

When fitted to vehicle seat, check the fitting child car seat base regularly to ensure the fitting is secured and the child car seat harness are not obstructed or twisted.

DO NOT take apart, or attempt to take apart the car seat base when cleaning. It is unnecessary and dangerous to do so.

cleaning

Plastic and metal parts may be sponged clean with warm water and a mild detergent.

Never clean with abrasive, ammonia based, bleach based or spirit type cleaners.

operation:

1 - getting to know your child car seat base

- | | |
|----------------------------------|--|
| 1. Child car seat base | 7. Child car seat connection indicator |
| 2. ISOFIX connector arms | 8. Support leg |
| 3. ISOFIX connection indicator | 9. Support leg adjuster button |
| 4. ISOFIX adjustment button | 10. Support leg pressure indicator |
| 5. Secondary lock release lever | 11. Shell connection bars |
| 6. Child car seat release handle | 12. ISOFIX guides |

2 - preparing the child car seat base for fitting

WARNING: Ensure that your vehicle has ISOFIX anchor points. Refer to the vehicle list in these instructions for information of where the child car seat base will fit in your vehicle.

Locate the vehicle ISOFIX anchor points. They are usually located between the vehicle seat base and back. If in doubt, please consult the vehicle handbook.

Insert the two plastic ISOFIX guides and hook them onto the vehicle ISOFIX anchor points (a). The plastic guides can help identify the vehicle ISOFIX anchor points and make installation easier. They can also help with the protection of your vehicle seat.

Pull out the support leg from under the child car seat base (b).

3 - fitting the child car seat base - 1

Place the child car seat base on the vehicle seat. Pinch the adjustment buttons (a) on each side of the child car seat base and slide out the connector arms (b&c) as far as they will go.

4 - fitting the child car seat base - 2

Push the ISOFIX connector arms onto the vehicle ISOFIX anchor points (a).

Push the back of the adjustment buttons (b) toward the ISOFIX anchor points until both connector arms are locked and the connection indicators show green on both sides (c).

WARNING: Ensure the red arrows on the adjustment buttons align with the same number on both sides of the car seat base (d).

5 - fitting the child car seat base - 3

Push the child car seat base towards the vehicle seat back until the child car seat base is locked firmly against vehicle the seat back (a).

Pull the child car seat base back slightly to ensure it's correctly secure (b).

6 - extending the support leg

Push the support leg adjuster button (a) and extend the support leg so that it makes firm contact with the vehicle floor (b). The two pressure indicators at the base of the support leg will turn from red to green on correct contact with the vehicle floor (c).

WARNING: Do not use the child car seat base when the support leg pressure indicators are showing red.

WARNING: Do not place the front support leg on a floor storage compartment lid. The front support leg MUST make full and firm contact with the vehicle floor.

WARNING: Make sure that the support leg does not raise the base from the surface of the vehicle seat.

7 - fitting the child car seat to the child car seat base

With the child car seat handle in the carrying position place the child car seat, rearward facing, on the child car seat base. The sides of the child car seat fit into the slots on either side of the child car seat base (a & b).

Push down on the child car seat until the two securing rods are engaged (c) and the child car seat connection indicator has turned from red to green (d).

WARNING: Do not use the child car seat when the child car seat connection indicator is showing red.

Lift the car seat slightly to ensure both securing rods are engaged.

8 - removing the child car seat from the child car seat base

Slide the secondary lock release lever (a) and the child car seat release handle (b) simultaneously then lift the child car seat off the child car seat base (c).

9 - removing the child car seat base from the vehicle seat

Pinch the adjustment buttons (a) on each side of the child car seat base and slide the connector arms (b&c) back into the child car seat base.

The child car seat base can now be removed from the vehicle seat (c).

The telescopic support leg can be collapsed and folded under the child car seat base for storage purpose (d).

Vehicle fitting list: Rearward facing, fitted using the ISOFIX low anchorage points with support-leg only.

*For seating positions for other fitting options, please refer to the Cosatto fit checker app (<http://cosat.to/fitchecker>) or the vehicle fitting list section on the website (<http://cosat.to/holdbasevl>).

The numbers in the vehicle diagram below correspond with the seat positions listed in the vehicle fitting list.



- If the child restraint can be fitted, the suitable seat position(s) is marked with ●
- If the child restraint cannot be fitted, the suitable seat position(s) is marked with ○
- Electric or hybrid vehicles are marked with ⚡
- i-Size vehicles are marked with 🚗
- Vehicles with under-floor storage compartment(s) is marked with SBI - Please consult the vehicle's handbook prior to fitting this child restraint in these vehicles.
- Vehicles with a cabin roof height which could restrict the child restraint from being installed forward facing are marked with !
- If your vehicle is not listed in this list or it is not marked with either a ● or ○ then please refer to the vehicle's handbook or contact Cosatto or retailer for further information.
- Seat positions in other vehicles may also be suitable to accept the child restraint. If in doubt, consult either Cosatto or the retailer.



Prior to purchase the vehicle, check that it is equipped with the appropriate anchorages.



ALWAYS give priority to the rear vehicle seats. DO NOT fit the child restraint onto a vehicle seat fitted with an airbag, unless it can be, and is deactivated. Death or serious injuries can be caused by an activated AIRBAG system.

- This vehicle fitting list was carefully prepared using scientific data collected from both vehicle and child restraint. Cosatto accepts no liability whatsoever with regards to any inaccuracies of the list, which is intended for guidance purposes only.
- It is recommended to check that the child restraint is compatible with the intended vehicle at the time of purchase.

IMPORTANTE: CONSERVE ESTAS INSTRUCCIONES PARA FUTURA REFERENCIA

Lea detenidamente estas instrucciones. La seguridad de su hijo podría verse afectada si no sigue estas instrucciones

guía del usuario

Gracias por escoger un producto Cosatto. Le recomendamos que lea atentamente las notas importantes relativas a la seguridad descritas a continuación. Esto le garantizará un uso seguro y duradero del producto.

Guarde el manual de instrucciones junto a la base del asiento para coches, en un lugar seguro y durante la totalidad de su vida útil; en la parte posterior del asiento para coches encontrará un compartimiento para guardar el manual de instrucciones.

Este producto es compatible únicamente con el asiento para coches Hold (vendido por separado).

Aunque el asiento de niños para coches se utilice en combinación con el asiento para coches Hold (vendido por separado), ello no significará que el producto sustituya a una cuna o cama. Si su hijo necesita dormir, colóquelo en una cuna, cama o capazo adecuados.

seguridad: le rogamos tenga en cuenta lo siguiente

ADVERTENCIA: LA SEGURIDAD DE SU HIJO ES RESPONSABILIDAD SUYA

- La combinación de este producto instalado con el asiento para coches Hold ha sido aprobada para niños de a partir de 0 años, lo que lo convierte en adecuado para el transporte de niños en coches desde su nacimiento hasta que alcancen 13 Kg. de peso (lo que aproximadamente equivale a 15 meses de edad).
- ADVERTENCIA: Después de un accidente, la base y el asiento para coches deberán reemplazarse.**
- ADVERTENCIA: No use NUNCA esta base de asiento de niños para coches en posición lateral, orientada hacia el cinturón de seguridad.**
- ADVERTENCIA: No use NUNCA esta base de asiento de niños para coches en un asiento de pasajeros que esté equipado con un air bag activado.**
- ADVERTENCIA: Asegúrese de que el niño esté SIEMPRE y en todo momento bajo supervisión de un adulto.**
- ADVERTENCIA: Asegure SIEMPRE a su hijo al asiento para coches utilizando el arnés de seguridad.**

• **ADVERTENCIA: NO intente desmontar, modificar ni añadir partes ni piezas a esta base de asiento para coches, así como tampoco cambiar el modo en que se utilizan y han sido fabricados los cin turones de seguridad de su vehículo.**

• **ADVERTENCIA: Cualquier elemento rígido y pieza de plástico perteneciente a la base de asiento para coches deberá ubicarse e instalarse de manera que no puedan quedar atrapadas por un asiento móvil o por la puerta del vehículo durante el uso diario del vehículo.**

• **ADVERTENCIA: La utilización de puntos de soporte de carga que no sean los descritos en las instrucciones reducirá considerablemente el factor de protección de la base del asiento para coches.**

• **ADVERTENCIA: NO use la base del asiento de niños para coches en su hogar, ya que no ha sido diseñado para ello y, por lo tanto, solo deberá usarse en el interior de su coche.**

- El asiento de niños para coches deberá colocarse y fijarse siempre con la pata de apoyo en la parte delantera.
- La hebilla del asiento de niños para coches ha sido diseñada para poderse desabrochar con rapidez en un caso de emergencia. NO HA SIDO FABRICADA A PRUEBA DE NIÑOS. Los niños más curiosos podrían aprender a desabrochar la hebilla. Por ese motivo, será de suma importancia que explique a su hijo que jamás deberá jugar ni con la hebilla ni con ninguna otra pieza del asiento para coches.
- No utilice nunca recambios que no hayan recibido la autorización de Cosatto.
- Asegure cualquier pieza de equipaje u otro tipo de bulto a fin de que no puedan causar lesiones al ocupante de la base y del asiento de niños para coches en caso de accidente.
- No coloque ningún objeto, como una toalla o un cojín, debajo de la base del asiento de niños para coches. Ello podría afectar al rendimiento de la base del asiento de niños para coches en caso de accidente.
- No coloque ningún objeto en el espacio para pies de la parte delantera de la base del asiento de niños para coches Hold.
- Después de un accidente, los cinturones de seguridad de su vehículo, la base del asiento de niños para coches y el mismo asiento de niños para coches deberán reemplazarse. Aunque no hayan sufrido ningún tipo de daño aparente, es muy posible que no gocen del mismo nivel de protección que antes poseían.
- Si la base del asiento de niños para coches tuviese que quedar expuesta a la luz directa del sol durante un largo período de tiempo, cúbrala ya que las superficies de la base del asiento de niños para coches pueden calentarse hasta alcanzar una temperatura extremadamente alta. Compruebe la superficie de la base del asient de niños para coches antes de colocar al niño en el asiento.

- Solo se garantizará la seguridad si el asiento de niños para coches ha sido instalado siguiendo estas instrucciones.
- No permita que los niños jueguen o ajusten la base del asiento de niños para coches.
- En caso de no cumplir con las instrucciones aquí detalladas, la garantía quedará anulada y Cosatto se eximirá de cualquier responsabilidad.
- NOTA: La base del asiento de niños para coches puede marcar la tapicería del asiento del vehículo. Cosatto no se hace responsable de ningún daño o marca que pueda producirse en la tapicería del asiento del vehículo.**

aviso:

- Este es un SISTEMA DE SUJECIÓN ISOFIX PARA NIÑOS. Ha sido aprobado según la Normativa nº 44, 04 con relación a una serie de modificaciones para uso general en vehículos que disponen de sistemas de anclaje ISOFIX.
- Es adecuado para vehículos con posiciones aprobadas como posiciones ISOFIX (tal y como se detalla en el manual de instrucciones del vehículo), dependiendo de la categoría del asiento para niños y del accesorio. Se recomienda comprobar que el sistema de retención infantil sea compatible con el vehículo en el que se pretende usar en el momento de la compra. Consulte la lista de vehículos al dorso del manual de instrucciones, la aplicación de comprobación de ajuste de Cosatto (<http://cosat.to/fitchecker>) o la sección de lista de ajuste de vehículos en el sitio web (<http://cosat.to/holdbasev1>).
- Cuando se instala en combinación con el asiento para coches Hold, el peso del niño y la clase de medida ISOFIX para los cuales se ha diseñado el dispositivo son: Niños a partir de 0 años (0 a 13 Kg), Clase E.
- No use nunca este asiento de niños para coches en un asiento de pasajeros que esté equipado con un airbag activado.
- En caso de duda, consulte con el fabricante o el distribuidor de la silla de seguridad.

cuidado

Esta base de asiento de niños para coches ha sido diseñado según las normativas vigentes de seguridad. Un uso y mantenimiento adecuados le permitirán disfrutar de un rendimiento óptimo del producto durante un largo período de tiempo. Si almacena el asiento para coches cuando está mojado podría crearse moho en el mismo. Después de haber estado expuesto a condiciones húmedas, seque el producto con un paño de tacto suave y permita que se seque antes de guardarlo. Guarde la base de asiento de niños para coches en un lugar seco y seguro. No deje la base de asiento de niños para coches expuesto a los rayos solares durante períodos prolongados ya que algunos tejidos podrían desteñirse.

mantenimiento

Inspeccione la base de asiento de niños para coches con regularidad y asegúrese de que no presente índices de ningún tipo de daño. En caso de que cualquiera de los

componentes estuviera dañado, deje de utilizar el producto.

Cuando instale la base del asiento de niños para coches en el asiento del vehículo, compruebe con regularidad la instalación y colocación de la base del asiento de niños para coches a fin de asegurarse que la unidad esté bien fijada y el arnés no esté ni retorcido ni sufra ninguna obstrucción.

NO desmonte, ni intente desmontar la base de asiento de niños para coches a limpiar el producto.

limpieza

Las piezas y partes de plástico y de metal deberán limpiarse con una esponja suave, agua tibia y un detergente de dureza mínima.

No limpie nunca la unidad con limpiadores abrasivos, o basados en amoníaco, lejía o alcoholes.

funcionamiento:

1 - conocimientos básicos de la base del asiento de niños para coches

- Base del asiento de niños para coches
- Brazos de conexión ISOFIX
- Indicador de conexión ISOFIX
- Botón de ajuste ISOFIX
- Palanca de bloqueo secundaria
- Palanca para soltar el asiento de niños para coches
- Indicador de conexión del asiento de niños para coches
- Pata de apoyo
- Botón de ajuste de la pata de apoyo
- Indicador de presión de la pata de apoyo
- Barras de conexión de la carcasa
- Guías ISOFIX

2 - preparación de la base del asiento de niños para coches para su instalación

ADVERTENCIA: Asegúrese de que su vehículo disponga de puntos de anclaje ISOFIX. Consulte la lista de vehículos que aparece en estas instrucciones para saber en qué parte de su vehículo podrá instalar la base de asiento de niños para coches.

Localice los puntos de anclaje ISOFIX. Estos puntos suelen encontrarse entre la base y la sección posterior del asiento del vehículo. En caso de duda, por favor consulte el manual de instrucciones del vehículo.

Inserte las dos guías de plástico ISOFIX y engánchelas a los puntos de anclaje ISOFIX del vehículo (a). Las guías de plástico pueden ayudarle a identificar los puntos de anclaje.

ISOFIX del vehículo y facilitarle la instalación. También pueden ayudarle a proteger el asiento de su vehículo.

Estire la pata de apoyo de debajo de la base del asiento de niños para coches (b) hacia fuera.

3 - instalación de la base del asiento de niños para coches - 1

Coloque la base del asiento de niños para coches sobre el asiento del vehículo. Presione los botones de ajuste (a) de cada lado de la base del asiento de niños para coches y haga deslizar los brazos de conexión (b y c) hacia fuera, al máximo de su capacidad.

4 - instalación de la base del asiento de niños para coches - 2

Empuje los brazos de conexión ISOFIX e introdúzcalos en los puntos de anclaje ISOFIX del vehículo (a).

Empuje la sección posterior de los botones de ajuste (b) hacia los puntos de anclaje ISOFIX hasta que ambos brazos de conexión estén bloqueados y los indicadores de conexión muestren el color verde en ambos lados (c).

ADVERTENCIA: Asegúrese que las flechas rojas de los botones de ajuste se alinean en ambos lados de la base del asiento de niños con el mismo numero (d).

5 - instalación de la base del asiento de niños para coches - 3

Empuje la base del asiento de niños para coches hacia la parte posterior del asiento del vehículo, hasta que la base del asiento de niños para coches quede firmemente bloqueada contra la parte posterior del vehículo del asiento (a).

Tire la base del asiento de niños para coches ligeramente hacia atrás para asegurarse de que queda correctamente fijado (b).

6 - Extensión de la pata de apoyo

Pulse el botón de ajuste de la pata de apoyo (a) y extienda la pata de apoyo que entra en contacto con el suelo del vehículo (b). Los dos indicadores de presión situados en la base de la pata de apoyo pasarán de rojo a verde cuando el contacto con el suelo del vehículo sea el correcto (c).

ADVERTENCIA: No use la base del asiento de niños para coches cuando los indicadores de presión de la pata de apoyo muestren el color rojo.

ADVERTENCIA: No coloque la pata de apoyo delantera sobre una de las tapas del compartimiento de almacenaje del suelo. La pata de apoyo delantera DEBERÁ estar en pleno contacto con el suelo del vehículo.

ADVERTENCIA: Asegúrese de que la pata de apoyo no levante la base de la superficie del asiento del vehículo.

7 - instalación del asiento de niños para coches a la base del asiento de niños para coches

Con el asa del asiento de niños para coches colocada en la posición de transporte, ponga el asiento de niños para coches mirando hacia sobre la base del asiento de niños para coches. Los laterales del asiento de niños para coches se insertan en las ranuras de ambos lados de la base del asiento de niños para coches (a y b).

Ejerza presión hacia bajo en el asiento de niños para coches hasta que las dos varillas de fijación queden acopladas (c) y el indicador de conexión del asiento de niños para coches haya pasado de rojo a verde (d).

ADVERTENCIA: No use la base del asiento de niños para coches cuando el indicador de conexión muestre el color rojo.

Levante ligeramente el asiento del vehículo para asegurarse de que ambas varillas de fijación estén activadas.

8 - extracción del asiento de niños para coches de la base del asiento de niños para coches

Haga deslizar la palanca de bloqueo secundaria (a) y la palanca para soltar el asiento de niños para coches (b) simultáneamente y, a continuación, levante y extraiga el asiento de niños para coches de la base del asiento de niños para coches (c).

9 - extracción de la base del asiento de niños para coches del asiento del vehículo

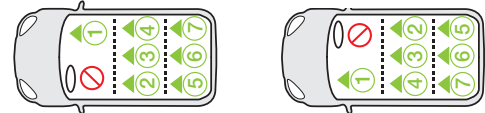
Presione los botones de ajuste (a) de cada lado de la base del asiento de niños para coches y haga deslizar los brazos de conexión (b y c) de nuevo hasta insertarlos en la base del asiento de niños para coches.

La base del asiento de niños para coches ya puede extraerse del asiento del vehículo (c).

La pata de apoyo telescópica puede plegarse a fin de guardarse debajo de la base del asiento de niños para coches (d).

Lista de accesorios de vehículos: Sentido contrario a la marcha, ajustado usando solo los puntos de anclaje bajo ISOFIX con pata de apoyo.

- *Para posiciones de asiento con otras opciones de ajuste, consulte la aplicación de comprobación de ajuste de Cosatto (<http://cosat.to/fitchecker>) o la sección de lista de ajuste de vehículos en el sitio web (<http://cosat.to/holdbasev1>).
- Los números del siguiente diagrama del vehículo corresponden a las posiciones de la silla incluidas en la lista de ajuste de vehículos.



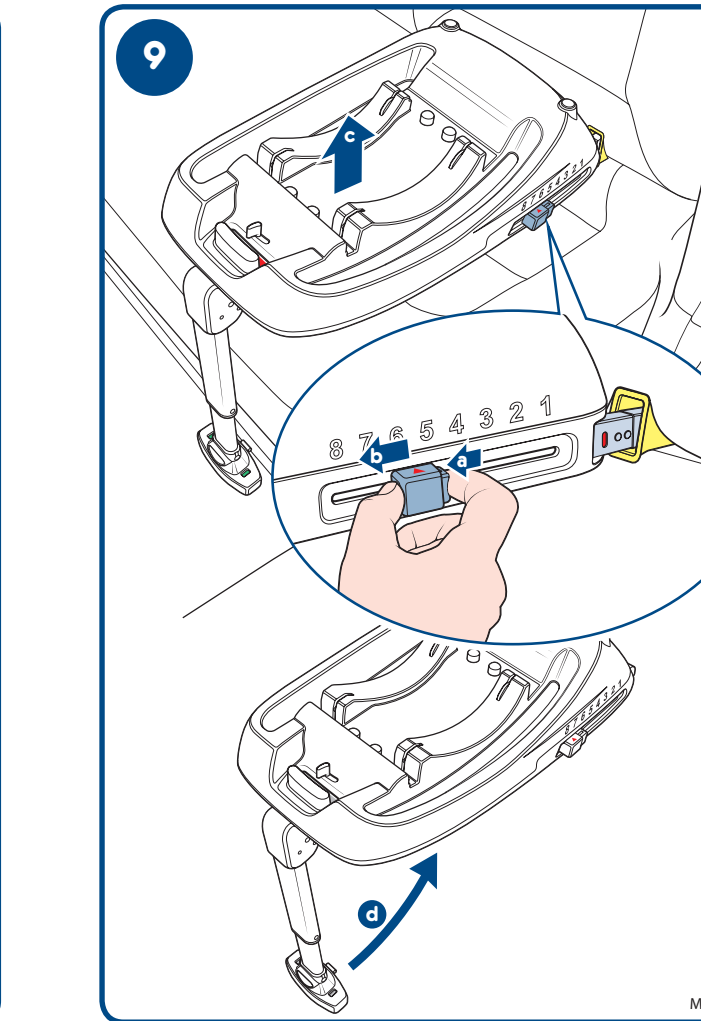
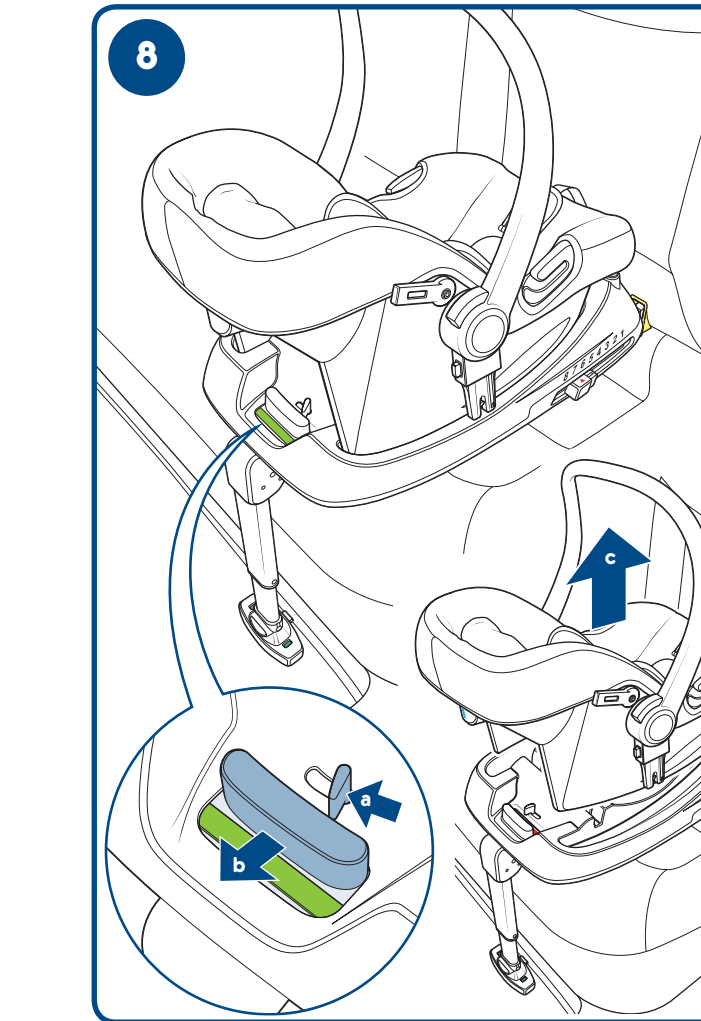
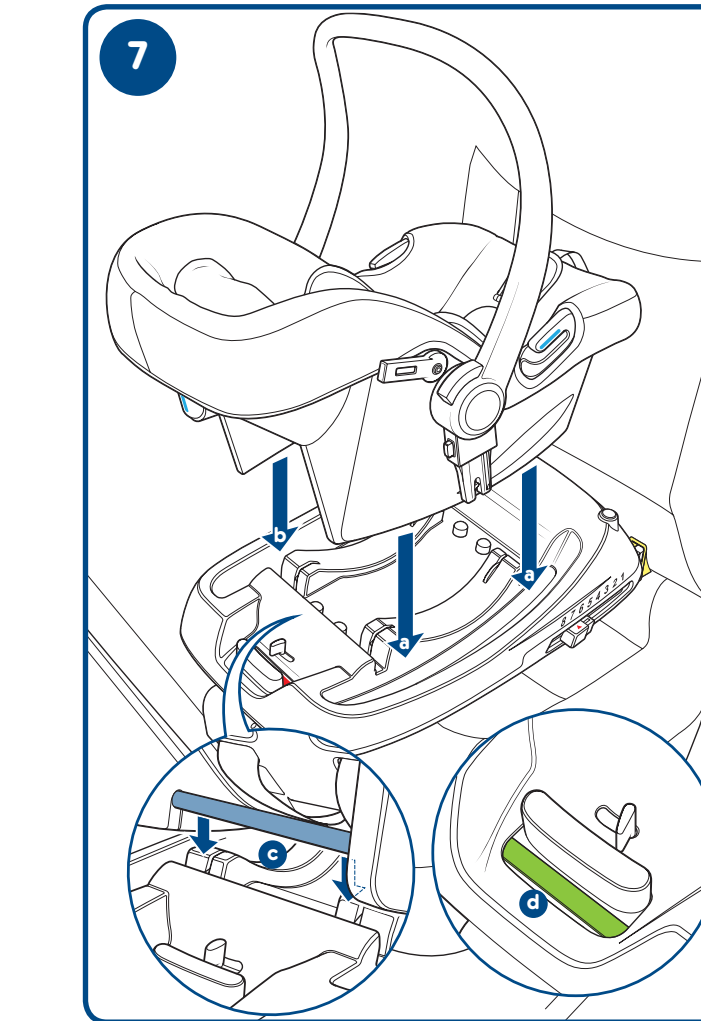
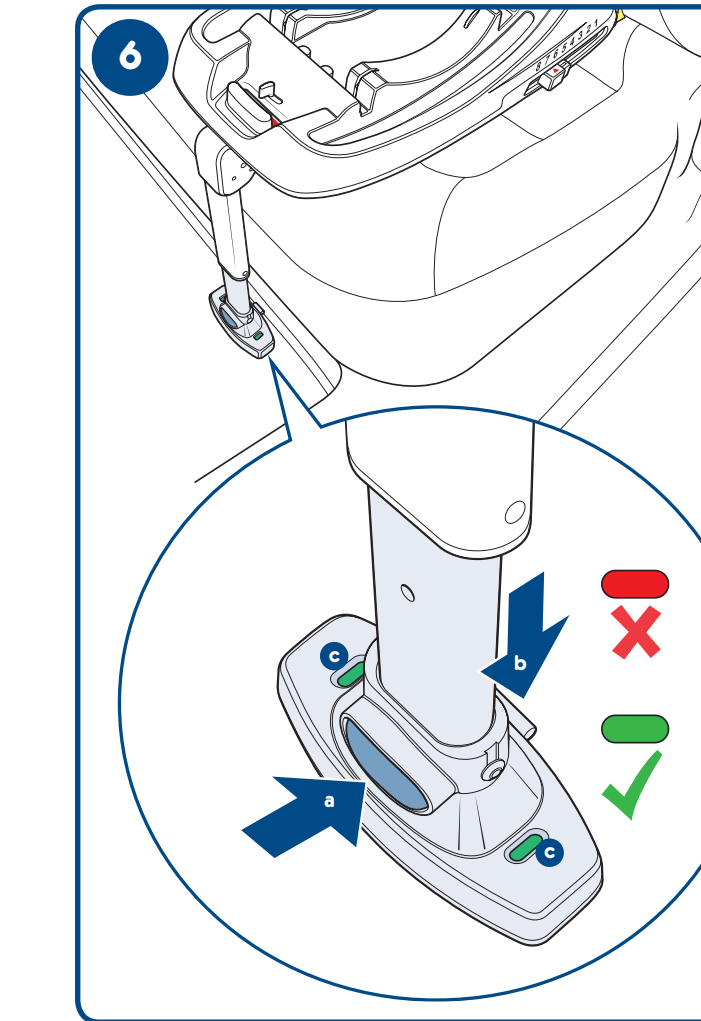
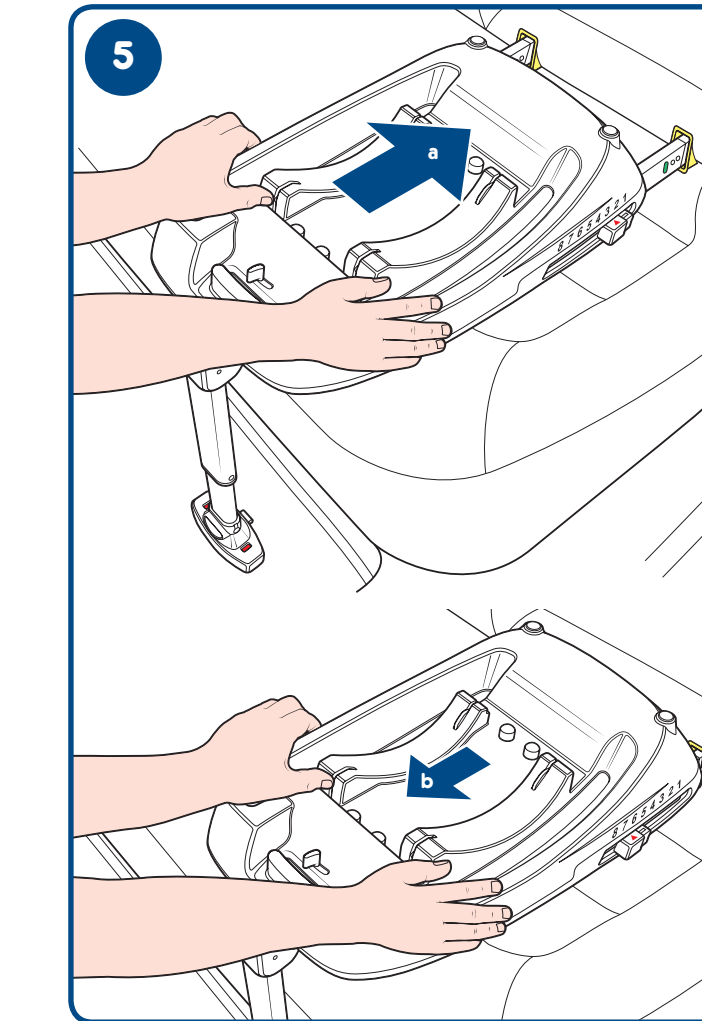
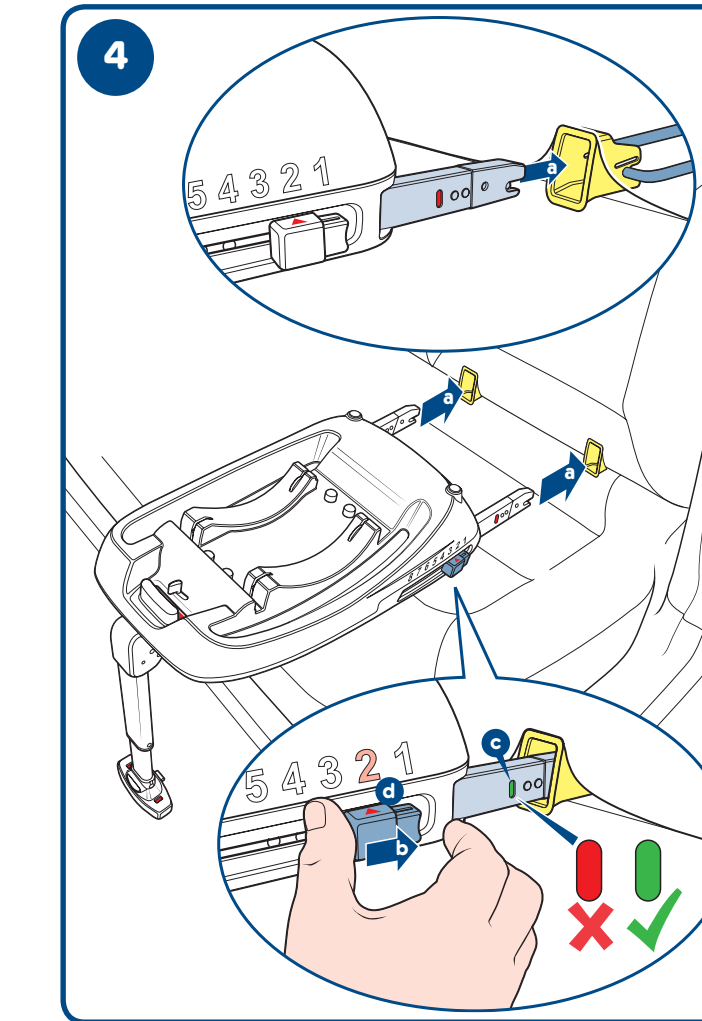
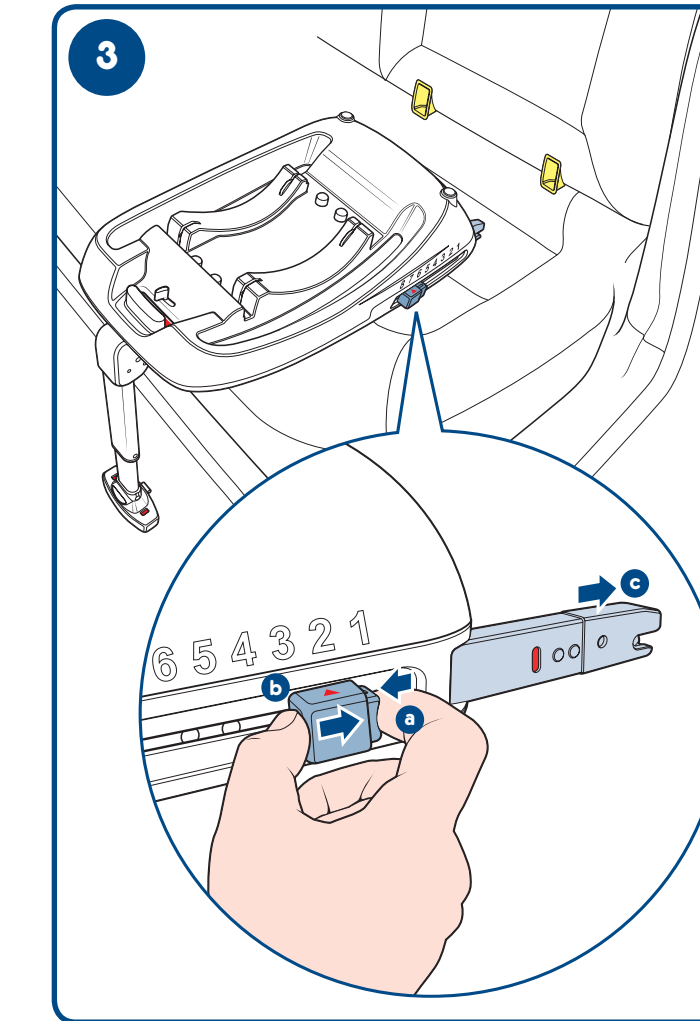
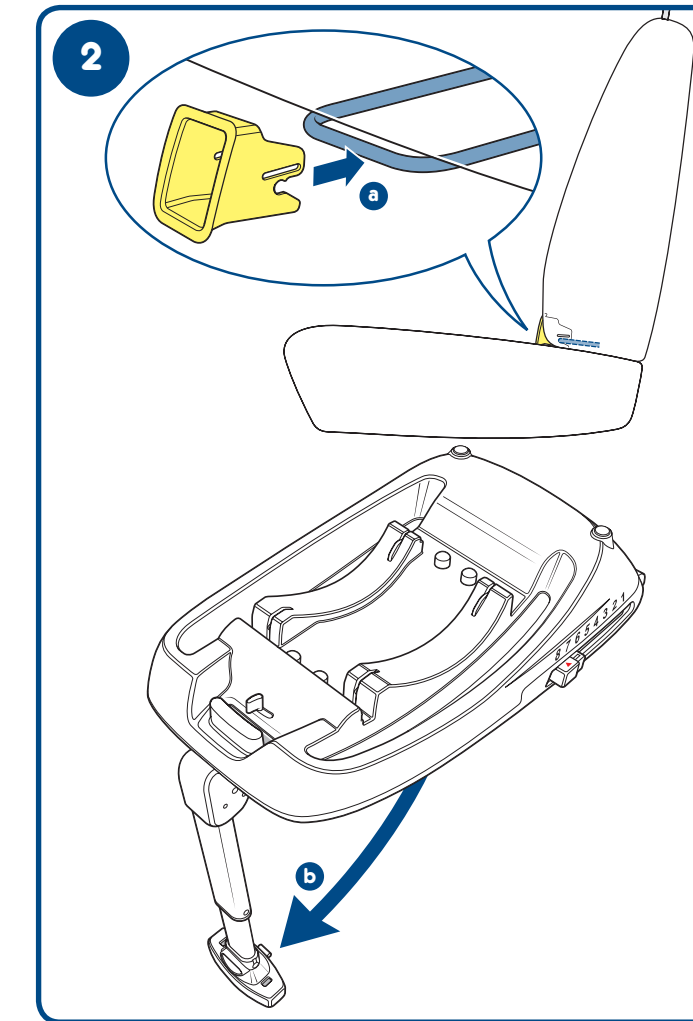
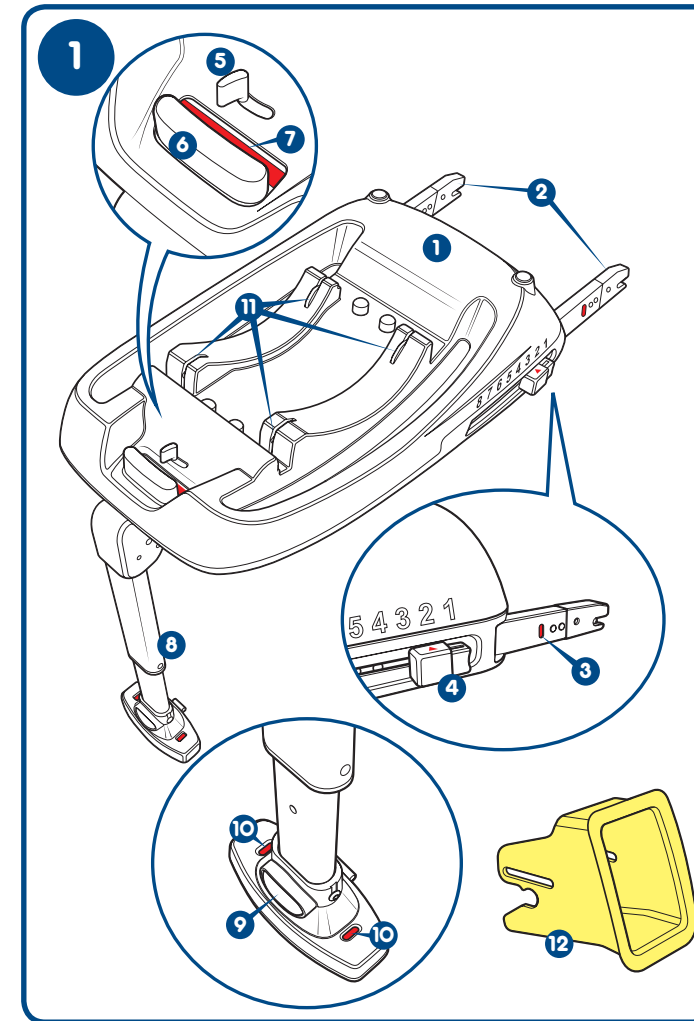
- Si puede ajustarse el sistema de retención infantil, la posición o posiciones adecuadas de la silla se marcan con ●
- Si no puede ajustarse el sistema de retención infantil, la posición o posiciones adecuadas de la silla se marcan con ○
- Los vehículos eléctricos o híbridos se marcan con ⚡
- Los vehículos de tamaño-i se marcan con i
- Los vehículos con compartimentos de almacenamiento bajo el suelo se marcan con **SB!** - Consulte el manual del vehículo antes de ajustar este sistema de retención infantil en dichos vehículos.
- Los vehículos que tengan una altura que puede impedir la instalación del sistema de retención infantil en el sentido de la marcha se marcan con !
- Si su vehículo no se encuentra en esta lista o no está marcado con el icono ● o ○, consulte el manual del vehículo o póngase en contacto con Cosatto o con el distribuidor para obtener más información.
- Las posiciones de la silla en otros vehículos también pueden ser aptas para alojar el sistema de retención infantil. En caso de dudas, consulte a Cosatto o al distribuidor.



Antes de comprar el vehículo, asegúrese de que esté equipado con los anclajes adecuados.

Dé SIEMPRE prioridad a los asientos traseros. NO coloque el sistema de retención infantil en el asiento de un vehículo con airbag incorporado, a menos que pueda desactivarse y esté desactivado. Un sistema de AIRBAG activado puede causar la muerte o lesiones graves.

- Esta lista de ajuste de vehículos se ha preparado cuidadosamente con datos científicos recopilados tanto de vehículos como del sistema de retención infantil. Cosatto no acepta ninguna responsabilidad en relación con inexactitudes de la lista, que solo es orientativa.
- Se recomienda comprobar que el sistema de retención infantil sea compatible con el vehículo en el que se pretende usar en el momento de la compra.



	1	2	3	4	5	6	7
Bravo (2007 >)	○	●	○	●	-	-	-
500L (2013 >)	○	○	○	○	-	-	-
500X (2015 >)	○	●	○	●	-	-	-
Doblo (2010 >)	○	●	○	●	-	-	-
Panda (2012 >)	○	○	○	○	-	-	-
Grande Punto (2006 >)	○	○	○	○	-	-	-
Abarth Grande Punto (2008 - 2011)	○	○	○	○	-	-	-
Qubo (2008 >)	○	●	○	●	-	-	-
Tipo (2016 >)	○	●	○	●	-	-	-

Ford

B Max (2012 >)	○	●	○	●	-	-	-
SBI Focus C Max (2003 - 2010)	○	○	○	○	-	-	-
C Max (2010 -2012)	○	●	○	●	-	-	-
C Max (2013 >)	○	●	○	●	-	-	-
Edge (2016 >)	○	●	○	●	-	-	-
Fiesta (2004 - 2008)	○	○	○	○	-	-	-
Fiesta (2008 >)	○	●	○	●	-	-	-
Focus (1998 - 2005)	○	○	○	○	-	-	-
Focus (2005 - 2009)	○	○	○	○	-	-	-
Focus (2010 - 2015)	○	●	○	●	-	-	-
Focus (2015 >)	○	●	○	●	-	-	-
Focus Electric (2015 >)	○	●	○	●	-	-	-
SBI Galaxy (2006 - 2015 >)	○	●	○	●	○	-	○
Galaxy (2016 >)	○	●	○	●	○	-	○
KA (2009 - 2016)	○	○	-	○	-	-	-
KA+ (2016 >)	○	●	○	●	-	-	-

	1	2	3	4	5	6	7
Kuga (2013 >)	○	●	○	●	-	-	-
Mondeo (2002 - 2007)	○	○	○	○	-	-	-
Mondeo Estate (2007 - 2014)	○	●	○	●	-	-	-
Mondeo Hatchback (2007 - 2014)	○	●	○	●	-	-	-
Mondeo Saloon (2007 - 2014)	○	●	○	●	-	-	-
Mondeo (2014 >)	○	●	○	●	-	-	-
SBI S Max (2006 - 2015 >)	○	●	○	●	○	-	○
S Max (2016 >)	○	●	○	●	○	-	○
EcoSport (2015 >)	○	●	○	●	-	-	-

Honda

Accord Saloon (2008 >)	○	●	○	●	-	-	-
Accord Tourer (2008 >)	○	●	○	●	-	-	-
Civic (2012 >)	○	●	○	●	-	-	-
Civic (2006 - 2011)	○	●	○	●	-	-	-
Civic Hybrid Saloon (2006 - 2010)	○	●	○	●	-	-	-
Civic Tourer (2014 >)	○	●	○	●	-	-	-
CRV (2007 - 2013)	○	●	○	●	-	-	-
CRV (2012 >)	○	●	○	●	-	-	-
Elysion (2012 >)	○	●	-	●	○	-	○
FRV (2006 - 2011)	○	●	○	●	-	-	-
HR-V (2015 >)	○	●	○	●	-	-	-
Insight (2009 >)	○	○	○	○	-	-	-
Jazz (2002 - 2008)	○	○	○	○	-	-	-
Jazz (2008 - 2015)	○	●	○	●	-	-	-
Jazz (2016 >)	○	●	○	●	-	-	-
Legend (2006 - 2010)	○	●	○	●	-	-	-

Hyundai

	1	2	3	4	5	6	7
Odyssey (2010 >)	○	○	-	○	-	-	-
Getz (2005 - 2011)	○	●	○	●	-	-	-
i10 Hatchback (2008 >)	○	○	○	○	-	-	-
i20 Hatchback (2009 >)	○	○	○	○	-	-	-
i20 (2015 >)	○	○	○	○	-	-	-
i30 (2012 - 2015)	○	●	○	●	-	-	-
i30 (2015 >)	○	●	○	●	-	-	-
i40 (2011 >)	○	●	○	●	-	-	-
iX20 (2011 >)	○	●	○	●	-	-	-
iX35 (2010 >)	○	●	○	●	-	-	-
i800/H1 (2008 >)	○	●	○	●	○	○	○
Ioniq (2016 >)	○	●	○	●	-	-	-
Santa Fe (2007 - 2012)	○	●	○	●	○	-	○
Santa Fe (2012 >)	○	●	○	●	○	-	○
Tucson (2010 >)	○	●	○	●	-	-	-
Tucson (2015 >)	○	●	○	●	-	-	-
Veloster (2012 >)	○	○	-	○	-	-	-

Infiniti

EX (2009 >)	○	●	○	●	-	-	-
FX (2009 >)	○	●	○	●	-	-	-
G Coupe (2009 >)	○	○	-	○	-	-	-
G Saloon (2009 >)	○	●	○	●	-	-	-
M (2010 >)	○	●	○	●	-	-	-

Jaguar

	1	2	3	4	5	6	7
F - Pace (2016 >)	○	●	○	●	-	-	-
F-Type Coupe (2014 >)	○	-	-	-	-	-	-
X-Type (2001 - 2010)	○	○	○	○	-	-	-
X-Type Estate (2004 - 2010)	○	○	○	○	-	-	-
XE (2015 >)	○	●	○	●	-	-	-
XF (2008 >)	○	●	○	●	-	-	-
XF (2015 >)	○	●	○	●	-	-	-
XF R (2009 >)	○	●	○	●	-	-	-
XF Sportbrake (2013 >)	○	●	○	●	-	-	-
XJ (2010 >)	○	●	○	●	-	-	-
! XK Coupe (2006 - 2016)	○	○	-	○	-	-	-
XK Convertible (2006 - 2016)	○	○	-	○	-	-	-

Jeep

Grand Cherokee (2011 >)	○	●	○	●	-	-	-
Compass (2011 >)	○	●	○	●	-	-	-
Cherokee (2014 >)	○	●	○	●	-	-	-
Renegade (2015 >)	○	●	○	●	-	-	-
Wrangler 5dr (2007 >)	○	●	○	●	-	-	-

Kia

SBI Carens (2013 >)	○	●	○	●	○	-	○
Ceed Hatchback (2012 >)	○	●	○	●	-	-	-
Optima (2011 - 2015)	○	●	○	●	-	-	-
Optima (2016 >)	○	●	○	●	-	-	-
Picanto (2008 >)	○	○	○	○	-	-	-

Land Rover

	1	2	3	4	5	6	7
Picanto (2011 >)	○	●	○	●	-	-	-
Rio (2012 >)	○	○	○	○	-	-	-
Sorento (2010 - 2014)	○	●	○	●	-	-	-
Sorento (2015 >)	○	●	○	●	○	-	○
Soul (2009 >)	○	●	○	●	-	-	-
Soul EV (2015 >)	○	●	○	●	-	-	-
Sportage (2011 - 2015)	○	●	○	●	-	-	-
Sportage (2016 >)	○	●	○	●	-	-	-
Venga (2010 >)	○	●	○	●	-	-	-
Discovery Sport (2015 >)	○	●	○	●	○	-	○
Discovery 4 (2009 >)	○	●	○	●	-	-	-
Freelander 2 (2006 >)	○	●	○	●	-	-	-
Range Rover (2013 >)	○	●	○	●	-	-	-
Range Rover (2002 - 2012)	○	●	○	●	-	-	-
Range Rover Sport (2005 - 2012)	○	●	○	●	-	-	-
Range Rover Sport (2013 >)	○	●	○	●	-	-	-
Range Rover Evoque 3dr (2011 >)	○	●	○	●	-	-	-
Range Rover Evoque 5dr (2011 >)	○	●	○	●	-	-	-

Lancia

Thema (2012 >)	○	●	○	●	-	-	-
Voyager (2010 >)	○	●	-	●	○	○	○
Delta (2011 >)	○	●	○	●	-	-	-
Ypsilon (2012 >)	○	○	○	○	-	-	-

	1	2	3	4	5	6	7
Lexus							
CT (2011 >)	○	●	○	●	-	-	-
GS (2013 >)	○	●	○	●	-	-	-
⚡ GSh (2013 >)	○	●	○	●	-	-	-
IS Saloon (2005 - 2012)	○	●	○	●	-	-	-
🚗 NX (2014 >)	○	●	○	●	-	-	-
RX (2010 >)	○	●	○	●	-	-	-

	1	2	3	4	5	6	7
Mazda							
🚗 CX-3 (2015 >)	○	●	○	●	-	-	-
CX-5 (2011 >)	○	●	○	●	-	-	-
CX-7 (2007 - 2011)	○	●	○	●	-	-	-
Mazda 2 (2009 - 2015)	○	○	○	○	-	-	-
🚗 Mazda 2 (2015 >)	○	●	○	●	-	-	-
3 Hatchback (2009 - 2013)	○	●	○	●	-	-	-
3 Saloon (2009 - 2013)	○	●	○	●	-	-	-
3 Hatchback (2014 >)	○	●	○	●	-	-	-
5 (2005 - 2010)	○	●	○	●	-	-	-
6 Estate (2008 - 2012)	○	●	○	●	-	-	-
6 Hatchback (2007 - 2012)	○	●	○	●	-	-	-
6 Saloon (2007 - 2009)	○	●	○	●	-	-	-
6 Saloon (2013 >)	○	●	○	●	-	-	-
6 Estate (2012 >)	○	●	○	●	-	-	-
MX-5 (2015 >)	○	-	-	-	-	-	-

	1	2	3	4	5	6	7
Mercedes-Benz							
A Class (2005 - 2012)	○	○	○	○	-	-	-

	1	2	3	4	5	6	7
A Class (2013 >)	○	○	○	○	-	-	-
B Class (2012 >)	○	●	○	●	-	-	-
⚡ B Class EV (2015 >)	○	●	○	●	-	-	-
C Class (2008 >)	○	●	○	●	-	-	-
C Class Estate (2008 >)	○	●	○	●	-	-	-
C Class Coupe (2011 >)	○	○	-	○	-	-	-
C Class Estate (2015 >)	○	●	○	●	-	-	-
CLA (2013 >)	○	●	○	●	-	-	-
CLS Shootingbrake (2012 >)	○	●	○	●	-	-	-
CLS Coupe (2011 >)	○	●	○	●	-	-	-
E Class (2006 - 2009)	○	●	○	●	-	-	-
E Class Saloon (2009 - 2012)	○	●	○	●	-	-	-
E Class Coupe (2009 >)	○	○	-	○	-	-	-
E Class Estate (2013)	○	●	○	●	-	-	-
E Class Saloon (2013 >)	○	●	○	●	-	-	-
GLA (2014 >)	○	●	○	●	-	-	○
GL Class (2006 - 2012)	○	●	○	●	○	-	○
GL Class (2012 >)	○	●	○	●	○	-	○
GLE (2015 >)	○	●	○	●	-	-	-
M/ML Class (2005 - 2012)	○	●	○	●	-	-	-
M/ML Class (2012 >)	○	●	○	●	-	-	-
R Class (2006 - 2012)	○	●	○	●	-	-	-
S Class (2006 - 2013)	○	●	○	●	-	-	-
S Class (2015 >)	○	●	○	●	-	-	-
SL Class (2012 >)	○	-	-	-	-	-	-
SLK (2011 >)	○	-	-	-	-	-	-
V Class (2015 >)	○	●	●	●	●	●	●

	1	2	3	4	5	6	7
MG Rover							
25 (1999 - 2005)	○	○	○	○	-	-	-
🚗 GS (2016 >)	○	●	○	●	-	-	-
MG3 (2013 - 2015)	○	●	○	●	-	-	-
MG3 (2016 >)	○	●	○	●	-	-	-
Streetwise (1999 - 2005)	○	○	○	○	-	-	-
ZR (2001 - 2005)	○	○	○	○	-	-	-
ZT (2003 - 2006)	○	○	○	○	-	-	-




	1	2	3	4	5	6	7
Mini							
Mini (Cooper) Hatchback (2006 - 2014)	○	○	-	○	-	-	-
Mini (Cooper) Hatchback (2014 >)	●	●	-	●	-	-	-
Mini Coupe (2009 >)	○	-	-	-	-	-	-
Mini Countryman (2010 >)	○	●	○	●	-	-	-
Mini Paceman (2013 >)	○	●	-	●	-	-	-
Mini 5dr (2015 >)	●	●	○	●	-	-	-



	1	2	3	4	5	6	7
Mitsubishi							
ASX (2010 >)	○	●	○	●	-	-	-
Colt (2007 - 2013)	○	○	○	○	-	-	-
Lancer (2008 - 2011)	○	●	-	●	-	-	-
Lancer Sportback (2008 - 2011)	○	●	-	●	-	-	-
Lancer Ralliart (2009 - 2011)	○	●	-	●	-	-	-
Mirage (2014 >)	○	●	○	●	-	-	-
Outlander (2007 - 2013)	○	●	○	●	-	-	-
Outlander (2013 >)	○	●	○	●	-	-	-
🚗⚡ Outlander PHEV (2015 >)	○	●	○	●	-	-	-

	1	2	3	4	5	6	7
Nissan							
Shogun (2007 >)	○	●	○	●	-	-	-
Juke (2010 >)	○	●	○	●	-	-	-
Leaf (2011 >)	○	●	○	●	-	-	-
Micra (2011 >)	○	○	○	○	-	-	-
Murano (2016 >)	○	●	○	●	-	-	-
Note (2006 - 2013)	○	○	○	○	-	-	-
Note (2014 >)	○	●	○	●	-	-	-
Qashqai+2 (2008 - 2015)	○	●	○	●	-	-	-
Qashqai (2007 - 2013)	○	●	○	●	-	-	-
Qashqai (2014 >)	○	●	○	●	-	-	-
Quest MPV (2012 >)	○	●	-	●	○	-	○
Pulsar (2015 >)	○	●	○	●	-	-	-
X-Trail (2007 - 2015)	○	●	○	●	-	-	-
X-Trail (2015 >)	○	●	○	●	○	-	○


	1	2	3	4	5	6	7
Opel							
Adam (2013 >)	○	○	-	○	-	-	-
Agila (2008 >)	○	●	○	●	-	-	-
⚡ Ampera (2011 >)	○	●	-	●	-	-	-
Antara (2007 - 2015)	○	●	○	●	-	-	-
Astra (2004 - 2010)	○	●	○	●	-	-	-
Astra 5dr (2010 >)	○	●	○	●	-	-	-
Astra Estate (2010 >)	○	●	○	●	-	-	-
Astra GTC (2011 >)	○	●	○	●	-	-	-
🚗 Astra (2015 >)	○	●	○	●	-	-	-


	1	2	3	4	5	6	7
Peugeot							
Corsa D (2007 >)	○	●	○	●	-	-	-
Corsa 3dr Hatchback (2006 - 2015)	○	●	○	●	-	-	-
Corsa 5dr Hatchback (2006 - 2015)	○	●	○	●	-	-	-
Corsa 5dr(2015 >)	○	●	○	●	-	-	-
Corsa VXR (2007 >)	○	●	○	●	-	-	-
Insignia Hatchback (2009 >)	○	●	○	●	-	-	-
Insignia Saloon (2009 >)	○	●	○	●	-	-	-
Insignia Sports Tourer (2009 >)	○	●	○	●	-	-	-
Karl (2015 >)	○	○	○	○	-	-	-
Meriva (2010 >)	○	●	○	●	-	-	-
Mokka (2013 >)	○	●	○	●	-	-	-
Vectra (2005 - 2008)	○	●	○	●	-	-	-
Zafira (2005 - 2014)	○	●	○	●	-	-	-
Zafira Tourer (2014 >)	○	●	○	●	○	-	○
107 (2005 - 2014)	○	○	-	○	-	-	-
108 (2015 >)	○	○	-	○	-	-	-
206 3dr (2004 - 2009)	○	○	○	○	-	-	-
207 3dr (2006 - 2012)	○	○	○	○	-	-	-
207 5dr (2006 - 2012)	○	●	○	●	-	-	-
207 SW (2007 - 2012)	○	●	○	●	-	-	-
2008 (2013 >)	○	●	○	●	-	-	-
208 3dr (2013 >)	○	●	○	●	-	-	-
208 5dr (2013 >)	○	●	○	●	-	-	-
307 (2001 - 2007)	○	●	○	●	-	-	-
307 Estate (2002 - 2007)	○	●	○	●	-	-	-

	1	2	3	4	5	6	7
308 Hatchback (2007 - 2014)	○	●	○	●	-	-	-
308 SW (2008 - 2015)	○	●	○	●	-	-	-
308 SW (2015 >)	○	●	○	●	-	-	-
308 (2014 >)	○	●	○	●	-	-	-
SBI 3008 (2009 - 2016)	○	○	○	○	-	-	-
 3008 (2017 >)	●	●	○	●	-	-	-
407 (2004 - 2011)	○	●	○	●	-	-	-
407 SW (2004 - 2011)	○	●	○	●	-	-	-
4007 (2007 - 2012)	○	●	○	●	-	-	-
508 (2011 >)	○	●	○	●	-	-	-
508 SW (2011 >)	○	●	○	●	-	-	-
508 RXH (2013 >)	○	●	○	●	-	-	-
SBI 5008 (2011 >)	○	○	○	○	○	-	○
Bipper (2008 >)	○	●	○	●	-	-	-
Expert Teepee (2007 - 2016)	○	●	○	●	○	○	○
Partner Combi (2004 - 2010)	○	○	○	○	-	-	-
Partner Teepee (2008 >)	○	○	○	○	-	-	-
RCZ (2011 >)	○	○	-	○	-	-	-
Traveller (2016 >)	○	●	●	●	●	●	●
Porsche							
Cayenne (2011 >)	○	●	○	●	-	-	-
 Cayenne E-Hybrid (2015 >)	○	●	○	●	-	-	-
Panamera (2011 >)	○	●	-	●	-	-	-
 Panamera E-Hybrid (2015 >)	○	●	-	●	-	-	-

	1	2	3	4	5	6	7
Renault							
Captur (2015 >)	●	●	○	●	-	-	-
Clio (2005 - 2012)	○	●	○	●	-	-	-
Clio Renault Sport (2006 - 2012)	○	●	○	●	-	-	-
Clio Sport Tourer (2007 - 2012)	○	●	○	●	-	-	-
Clio (2013 >)	○	●	○	●	-	-	-
Espace (2003 - 2012)	○	●	●	●	●	-	●
Grand Espace (2003 - 2012)	○	●	●	●	●	-	●
Kadjar (2015 >)	○	●	○	●	-	-	-
Laguna (2008 - 2012)	○	●	○	●	-	-	-
Laguna Sport Tourer (2008 - 2012)	○	●	○	●	-	-	-
Megane (2007)	○	●	○	●	-	-	-
Megane Hatch (2002 - 2009)	○	●	○	●	-	-	-
SBI Megane Hatchback (2008 - 2016)	○	●	○	●	-	-	-
Megane Sport Tourer (2009 - 2016)	○	●	○	●	-	-	-
 Megane (2016 >)	○	●	○	●	-	-	-
Modus (2004 - 2012)	○	○	○	○	-	-	-
Grand Modus (2008 - 2012)	○	○	○	○	-	-	-
SBI Scenic (2003 - 2009)	○	○	○	○	-	-	-
SBI Scenic (2009 - 2016)	○	○	○	○	-	-	-
 Scenic (2017 >)	○	○	○	○	-	-	-
Twingo (2007 - 2014)	○	○	-	○	-	-	-
Twingo (2015 >)	○	○	-	○	-	-	-
Saab							
9-3 (2002 - 2012)	○	●	○	●	-	-	-

	1	2	3	4	5	6	7
9-3 Sport Wagon (2005 - 2012)	○	●	○	●	-	-	-
9-3 X (2009 - 2012)	○	●	○	●	-	-	-
9-5 Estate (2005 - 2010)	○	●	○	●	-	-	-
9-5 (2011-2012)	○	●	○	●	-	-	-
Seat							
SBI Alhambra (2010 >)	○	○	○	○	-	-	-
Altea (2004 - 2011)	○	●	○	●	-	-	-
Altea XL (2007 - 2011)	○	●	○	●	-	-	-
Altea Freetrack4 (2007 - 2009)	○	●	○	●	-	-	-
Arosa (1997 - 2004)	○	○	-	○	-	-	-
Exeo (2008 - 2014)	○	●	○	●	-	-	-
Exeo ST Estate (2008 - 2014)	○	●	○	●	-	-	-
Ibiza Cupra (2009 >)	○	○	○	○	-	-	-
Ibiza FR (2009 >)	○	○	○	○	-	-	-
Ibiza Hatchback (2008 - 2013)	○	○	○	○	-	-	-
Leon Cupra (2007 - 2011)	○	●	○	●	-	-	-
Leon FR (2006 - 2012)	○	●	○	●	-	-	-
Leon Hatchback (2005 - 2012)	○	●	○	●	-	-	-
Leon (2013 >)	○	●	○	●	-	-	-
Mii (2011 >)	○	○	○	○	-	-	-
Toledo (2013 >)	○	●	○	●	-	-	-
Skoda							
Citigo (2012 >)	○	○	○	○	-	-	-
Fabia (2015 >)	○	○	○	○	-	-	-

	1	2	3	4	5	6	7
Fabia Estate Combi (2008 >)	○	○	○	○	-	-	-
Fabia Hatchback (2007 >)	○	○	○	○	-	-	-
Octavia Estate Combi (2005 - 2013)	○	●	○	●	-	-	-
Octavia Hatchback (2004 - 2012)	○	●	○	●	-	-	-
Octavia Scout (2007 - 2013)	○	●	○	●	-	-	-
Octavia Hatchback (2013 >)	○	●	○	●	-	-	-
Rapid (2013 >)	○	●	○	●	-	-	-
Roomster (2006 >)	○	●	○	●	-	-	-
Superb Combi Estate (2008 >)	○	●	○	●	-	-	-
Superb (2008 - 2014 >)	○	●	○	●	-	-	-
 Superb (2015 >)	○	●	○	●	-	-	-
Yeti (2009 >)	○	●	○	●	-	-	-
Smart							
For Two Coupe (2007 >)	○	-	-	-	-	-	-
FourFour (2015 >)	○	○	-	○	-	-	-
Ssangyong							
Actyon (2006 - 2011)	○	●	○	●	-	-	-
Korando (2011 >)	○	●	○	●	-	-	-
Musso Pickup (2016 >)	○	●	○	●	-	-	-
Rexton (2014 >)	○	●	○	●	-	-	-
Tivoli (2016 >)	○	●	○	●	-	-	-
Turismo (2014 >)	○	●	○	●	○	○	○

	1	2	3	4	5	6	7
Suzuki							
Alto (2009 >)	○	○	-	○	-	-	-
 Baleno (2016 >)	○	●	○	●	-	-	-
Grand Vitara (2006 >)	○	●	○	●	-	-	-
Vitara (2015 >)	○	●	○	●	-	-	-
Splash (2008 >)	○	○	○	○	-	-	-
Swift Sport (2011 >)	○	○	○	○	-	-	-
SX - 4 (2006 >)	○	●	○	●	-	-	-
SX - 4 Saloon (2009 >)	○	●	○	●	-	-	-
Subaru							
BRZ (2012 >)	○	○	-	○	-	-	-
Forester (2013 >)	○	●	○	●	-	-	-
Impreza 5dr (2007 - 2012)	○	●	○	●	-	-	-
Impreza 5 Door (2013 >)	○	●	○	●	-	-	-
Legacy (2012 >)	○	●	○	●	-	-	-
Outback (2012 >)	○	●	○	●	-	-	-
XV Hatchback (2011 >)	○	●	○	●	-	-	-
Tesla							
Model S (2014 >)	○	●	○	●	-	-	-
Model X (2016 >)	○	●	○	●	●	-	●
Toyota							
Auris (2007 - 2012)	○	●	○	●	-	-	-

	1	2	3	4	5	6	7
Auris (2013 >)	○	●	○	●	-	-	-
Avensis Hatchback (2003 - 2011)	○	●	○	●	-	-	-
Avensis Tourer (2009 >)	○	●	○	●	-	-	-
Aygo (2005 - 2014)	○	○	-	○	-	-	-
Aygo (2014 >)	○	○	-	○	-	-	-
C-HR (2017 >)	○	●	○	●	-	-	-
EZ MPV (2013 >)	○	●	○	●	-	-	-
GT86 (2012 >)	○	○	-	○	-	-	-
Highlander (2013 >)	○	●	○	●	-	-	-
Land Cruiser (2003 - 2009)	○	●	○	●	-	-	-
Land Cruiser (2009 >)	○	●	○	●	-	-	-
⚡ Prius (2004 - 2010)	○	●	○	●	-	-	-
⚡ Prius (2010 >)	○	●	○	●	-	-	-
⚡ Prius PHEV (2015 >)	○	○	○	○	-	-	-
⚡ Prius Plus + (2012 >)	○	●	○	●	-	-	-
Prius 4 (2016 >)	○	●	○	●	-	-	-
Rav 4 MK3 (2006 - 2011)	○	●	○	●	-	-	-
RAV4 (2013 >)	○	●	○	●	-	-	-
SBI Verso (2009 - 2012)	○	●	○	●	-	-	-
SBI Verso (2013 >)	○	○	○	○	-	-	-
Yaris (2008 - 2011)	○	○	○	○	-	-	-
Yaris Hatchback (2011 >)	○	○	○	○	-	-	-
Adam (2013 >)	○	○	-	○	-	-	-
Agila (2008 >)	○	●	○	●	-	-	-

Vauxhall

	1	2	3	4	5	6	7
Ampera (2011)	○	●	-	●	-	-	-
Antara (2007 - 2015)	○	●	○	●	-	-	-
Astra (2004 - 2010)	○	●	○	●	-	-	-
Astra 5dr (2010 >)	○	●	○	●	-	-	-
Astra Estate (2010 >)	○	●	○	●	-	-	-
Astra GTC (2011 >)	○	●	○	●	-	-	-
🚗 Astra (2015 >)	○	●	○	●	-	-	-
Corsa D (2007 >)	○	●	○	●	-	-	-
Corsa 3dr Hatchback (2006 - 2015)	○	●	○	●	-	-	-
Corsa 5dr Hatchback (2006 - 2015)	○	●	○	●	-	-	-
Corsa 5dr (2015 >)	○	●	○	●	-	-	-
Corsa VXR (2007 >)	○	●	○	●	-	-	-
Insignia Hatchback (2009 >)	○	●	○	●	-	-	-
Insignia Saloon (2009 >)	○	●	○	●	-	-	-
Insignia Sports Tourer (2009 >)	○	●	○	●	-	-	-
Meriva (2010 >)	○	●	○	●	-	-	-
Mokka (2013 >)	○	●	○	●	-	-	-
Vectra (2005 - 2007)	○	●	○	●	-	-	-
Vectra (2007)	○	●	○	●	-	-	-
Viva (2015 >)	○	○	○	○	-	-	-
Zafira (2005 - 2014)	○	●	○	●	-	-	-
Zafira Tourer (2012 >)	○	●	○	●	○	-	○
Beetle (2012 >)	○	○	-	○	-	-	-
Caddy (2010 >)	○	○	○	○	○	-	○

Volkswagen

	1	2	3	4	5	6	7
Caddy MaxiLife (2010 - 2015)	○	○	○	○	○	-	○
Multivan Caravelle (2008)	○	●	-	●	○	○	○
Golf MK 5 (2007)	○	●	○	●	-	-	-
Golf Cabriolet (2009 - 2012)	○	○	-	○	-	-	-
Golf Hatchback (2009 - 2012)	○	●	○	●	-	-	-
Golf Hatchback MK5 (2004 - 2008)	○	●	○	●	-	-	-
Golf Hatchback MK7 (2012 >)	○	●	○	●	-	-	-
⚡ Golf MK7 GTE (2014 >)	○	●	○	●	-	-	-
⚡ Golf E (2014 >)	○	●	○	●	-	-	-
Golf Plus (2009 - 2011)	○	●	○	●	-	-	-
Jetta (2011 >)	○	●	○	●	-	-	-
Lupo (1999 - 2005)	○	○	-	○	-	-	-
Passat (2005 - 2010)	○	●	○	●	-	-	-
Passat (2010 - 2015)	○	●	○	●	-	-	-
🚗 Passat Saloon (2015 >)	○	●	○	●	-	-	-
Passat Alltrack (2012 >)	○	●	○	●	-	-	-
Passat CC (2008 >)	○	●	○	●	-	-	-
Passat Estate (2005 -2011)	○	●	○	●	-	-	-
🚗 Passat Estate (2015 >)	○	●	○	●	-	-	-
Polo 3dr (2009 >)	○	○	○	○	-	-	-
Polo 5dr (2009 >)	○	○	○	○	-	-	-
Scirocco (2011)	○	○	-	○	-	-	-
SBI Sharan (2010 >)	○	○	○	○	○	-	○
Tiguan (2008 - 2016)	○	●	○	●	-	-	-
🚗 Tiguan (2016 >)	○	●	○	●	-	-	-
Touareg (2010 >)	○	●	○	●	-	-	-

Volvo

	1	2	3	4	5	6	7
Touareg (2003 - 2009)	○	●	○	●	-	-	-
SBI Touran (2010 - 2015)	○	○	○	○	○	-	○
🚗 Touran (2016 >)	○	●	●	●	○	-	○
UP! (2012 >)	○	○	○	○	-	-	-
⚡ E - UP! (2014 >)	○	○	○	○	-	-	-
C30 (2007 - 2013)	○	●	-	●	-	-	-
S40 (2004 - 2012)	○	●	○	●	-	-	-
S60 (2010 >)	○	●	○	●	-	-	-
S80 (2007 >)	○	●	○	●	-	-	-
🚗 S90 (2016 >)	○	●	○	●	-	-	-
V40 (2012 >)	○	●	○	●	-	-	-
V40 Cross Country (2013 >)	○	●	○	●	-	-	-
V50 (2004 - 2012)	○	●	○	●	-	-	-
V60 (2011 >)	○	●	○	●	-	-	-
⚡ V60 PHEV (2015 >)	○	●	○	●	-	-	-
V70 (2008 >)	○	●	○	●	-	-	-
🚗 V90 (2016 >)	○	●	○	●	-	-	-
XC60 (2008 >)	○	●	○	●	-	-	-
XC70 (2008 >)	○	●	○	●	-	-	-
XC90 (2003 - 2014)	○	●	○	●	-	-	-
🚗 XC90 (2016 >)	○	●	○	●	○	-	○

SIGN UP SIGN UP



join our VIP club...
catch onto the newsletter at cosatto.com

Keep in the lovely loop...
for regular crazy competitions, exclusive
viewings of future stuff, grooviest giveaways
and exclusive invitations. Tell your friends too...



recommend
3 friends
to
win...

scan the QR
code to
enter



log onto
cosatto.com/3towin

Join the
brightest
facebook
anbase

follow us on...
facebook.com/clubcosatto

tweet
tweet



join the conversation...
[@Cosatto_Tweets](https://twitter.com/Cosatto_Tweets)

